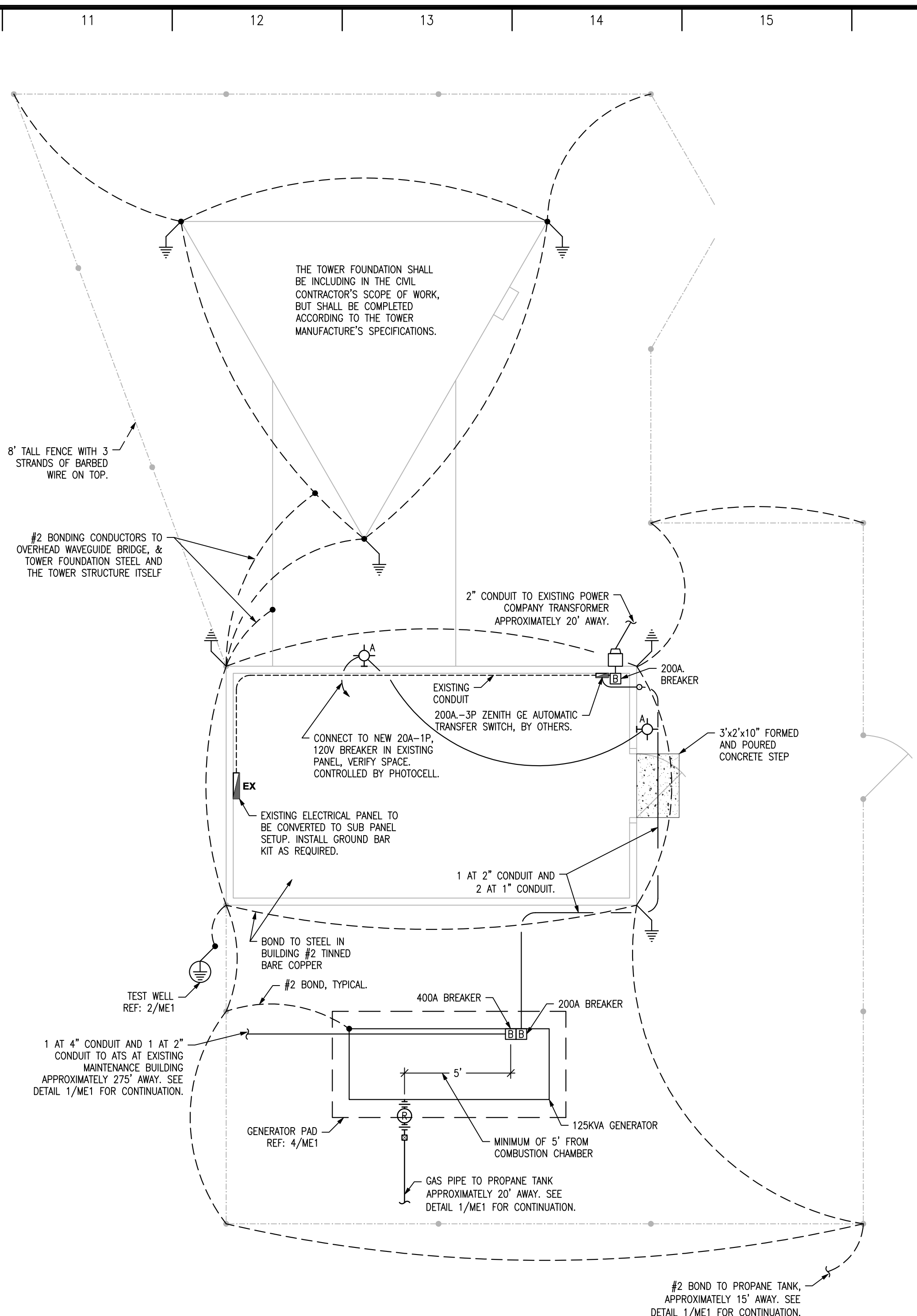
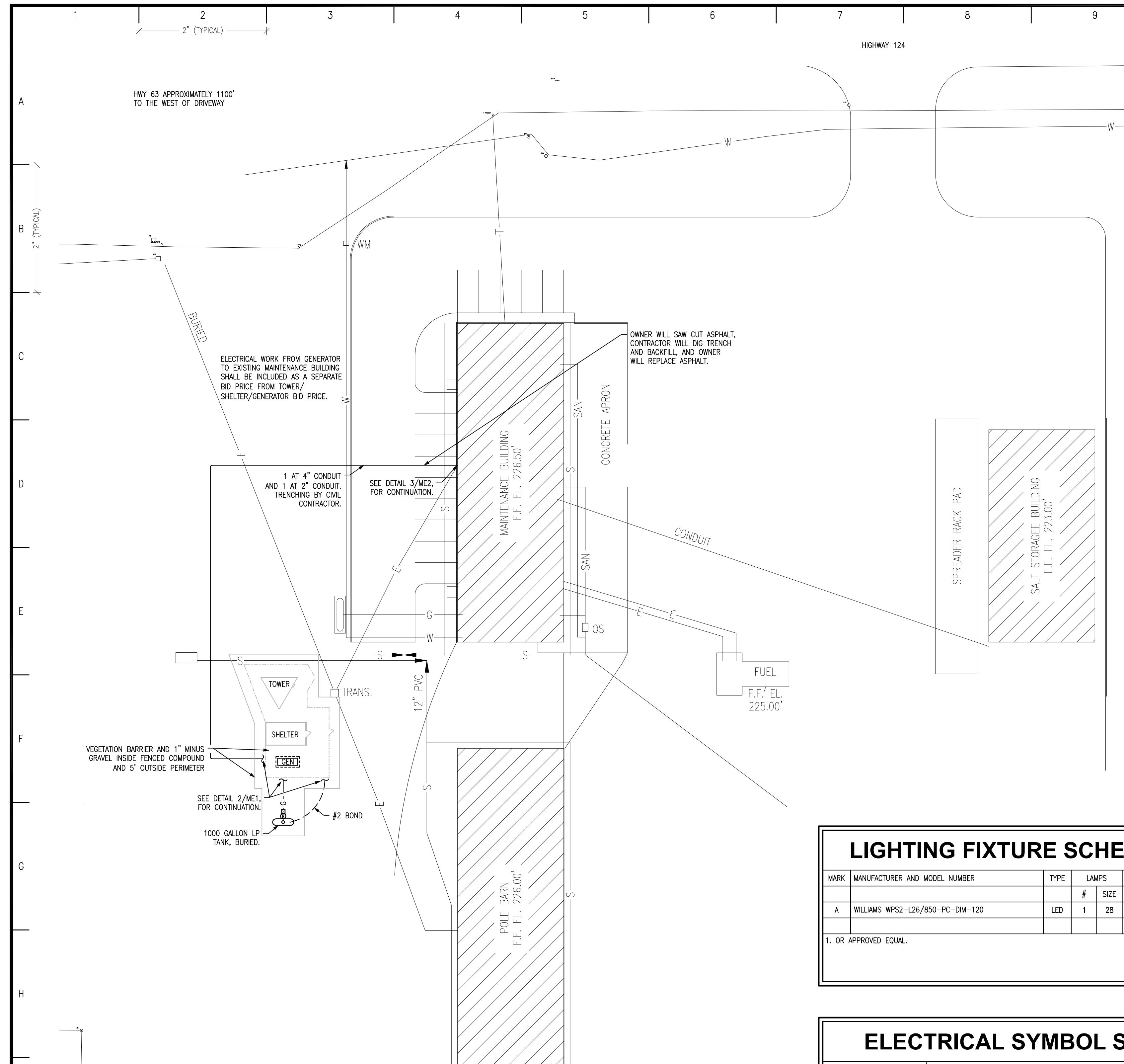


**MALICOAT - WINSLOW ENGINEERS, P.C.**  
 MISSOURI STATE CERTIFICATE OF AUTHORITY #000421  
 5649 N. CLEARVIEW ROAD, COLUMBIA, MISSOURI 65202  
 TEL 573-875-1300 FAX 573-875-1305  
 FREDDIE MALICOAT, P.E.

**BOCO HALLSVILLE FACILITY**  
 780 E HIGHWAY 124  
 HALLSVILLE, BOONE COUNTY, MO 65255

CONTRACTOR SHALL CHECK & VERIFY ALL DIMENSIONS & CONDITIONS AT JOB SITE.  
 DATE: 10-05-18  
 REVISIONS:  
 TITLE: MECHANICAL/ELECTRICAL SITE PLAN  
 SHEET: ME1 OF ME2  
 PROJECT: 18065



**2 SITE PLAN**  
 SCALE: 1/4" = 1'-0"

**1 SITE PLAN**  
 SCALE: 1" = 30'-0"

- GENERAL MECHANICAL-ELECTRICAL SPECIFICATIONS**
- ALL WORK SHALL BE DONE IN STRICT CONFORMANCE TO THE BUILDING CODES OF THE COUNTY OF BOONE, MO.
  - ALL MATERIALS SHALL BE NEW, FIRST CLASS, AND INSTALLED TO MANUFACTURER'S WRITTEN SPECIFICATIONS.
  - ALL SYSTEMS SHALL BE COMPLETE AND OPERABLE IN EVERY WAY.
  - DO ALL EXCAVATION, BACKFILLING, CUTTING, PATCHING, OFFSETTING, ADJUSTING AND BALANCING AS REQUIRED TO COMPLETE THE JOB.
  - SPECIFIC MODELS ARE SPECIFIED TO ESTABLISH QUALITY ONLY. ENGINEER'S DECISION SHALL BE FINAL ON ALL MATERIAL SELECTIONS OR SUBSTITUTIONS.
  - MAINTAIN SAFETY SIGNS AND BARRIERS AS REQUIRED TO ASSURE SAFE WORKING CONDITIONS.
  - GUARANTEE ALL WORKMANSHIP AND MATERIALS FOR ONE YEAR FROM FINAL ACCEPTANCE.
  - EACH CONTRACTOR SHALL BE RESPONSIBLE FOR CLEANING UP HIS OWN DEBRIS.
  - CONTRACTOR SHALL NOT BE RESPONSIBLE FOR PROPER OPERATION OF OWNER-FURNISHED MATERIALS.
  - INSPECT JOB SITE PRIOR TO BIDDING TO DETERMINE EXACT JOB REQUIREMENTS.
- PLUMBING SPECIFICATIONS**
- SEE GENERAL MECHANICAL-ELECTRICAL SPECIFICATIONS.
  - GAS PIPING ABOVE OR BELOW GRADE SHALL BE COPPER TUBING OR MEDIUM DENSITY POLYETHYLENE DRISCOPEPE 6500 OR EQUAL.

- ELECTRICAL SPECIFICATIONS**
- SEE GENERAL MECHANICAL-ELECTRICAL SPECIFICATIONS.
  - ALL CONDUCTORS SHALL BE COPPER MINIMUM #12 OR LARGER AS REQUIRED OR SHOWN.
  - ALL EQUIPMENT SHALL BE RATED FOR 75° C. CONDUCTORS.
  - ALL SERVICE WIRING, WIRING EXPOSED TO WEATHER, OR WIRING BELOW GRADE, SHALL BE IN RIGID GALVANIZED CONDUIT OR SCH 40 PVC.
  - ALL WIRING SHALL BE IN EMT OR MC CABLE.
  - WALL SWITCHES SHALL BE LEVITON #1120 SERIES, OR APPROVED EQUAL, 20A.
  - DUPLEX CONVENIENCE RECEPTACLES SHALL BE LEVITON #5362 SERIES, OR APPROVED EQUAL, 20A, GROUNDING TYPE. GROUND FAULT RECEPTACLES SHALL BE LEVITON #7899-LW SERIES. USE SIDEWIRING ONLY, NOT BACKWIRING.
  - SPECIAL OUTLETS SHALL BE AS REQUIRED OR SHOWN ON DRAWINGS, COMPLETE WITH COVER PLATE.
  - THE ENTIRE SYSTEM SHALL BE ELECTRICALLY CONTINUOUS AND PROPERLY GROUNDED. EVERY FEEDER AND BRANCH CONDUIT SHALL HAVE CODE SIZED GREEN INSULATED GROUND CONDUCTOR.
  - FURNISH AND INSTALL ALL LIGHTING FIXTURES, LAMPS, FUSES, BREAKERS, ETC. TO COMPLETE THE BRANCH CIRCUITS INDICATED.
  - ALL 120V, 20A LIGHTING AND RECEPTACLE CIRCUITS REQUIRING MORE THAN 100' OF CONDUCTORS (ONE WAY) SHALL BE #10 CONDUCTORS.

**LIGHTING FIXTURE SCHEDULE**

MARK	MANUFACTURER AND MODEL NUMBER	TYPE	LAMPS	MOUNTING	REMARKS
			# SIZE		
A	WILLIAMS WPS2-L26/850-PC-DIM-120	LED	1 28	WALL	1

1. OR APPROVED EQUAL.

**ELECTRICAL SYMBOL SCHEDULE**

	P2-22,24	HOME RUN CIRCUIT TO PANEL P2, CIRCUITS 22,24
		EACH ARROW INDICATES ONE CIRCUIT
		SHORT HATCH MARKS INDICATE # OF PHASE CONDUCTORS
		LONG HATCH MARKS INDICATE # OF NEUTRAL CONDUCTORS
		NO HATCH MARK INDICATES TWO CONDUCTORS
		ELECTRICAL SERVICE OR FEEDER WIRING
		WIRING IN WALL OR CEILING - WIRING IN FLOOR
		RECEPTACLE OUTLET (DUPLEX - QUADRUPLEX - SPLIT WIRED - SPECIAL POWER)
		COMMUNICATIONS OUTLET (TELEPHONE - CATV - DATA/PHONE)
		WALL SWITCH SINGLE POLE (3-WAY - DIMMER - 4-WAY - PILOT - SPEED - KEYED - TIMER)
		INCANDESCENT OR HID LIGHT FIXTURE (CEILING MOUNTED - WALL MOUNTED)
		FLUORESCENT LIGHT FIXTURE (ENCLOSED - STRIP) (S INDICATES SPLIT WIRED)
		EXIT LIGHT - EMERGENCY LIGHT - EMERGENCY/EXIT LIGHT
		CLOCK RECEPTACLE
		ELECTRIC PANEL
		SPEAKER - PUSH TO TALK
		JUNCTION BOX - PULL BOX
		DISCONNECT (FUSED - NONFUSED)
		STARTER
	42 G W	OUTLET (MOUNT HEIGHT INCHES - GF PROTECTED - WEATHER PROOF GF)

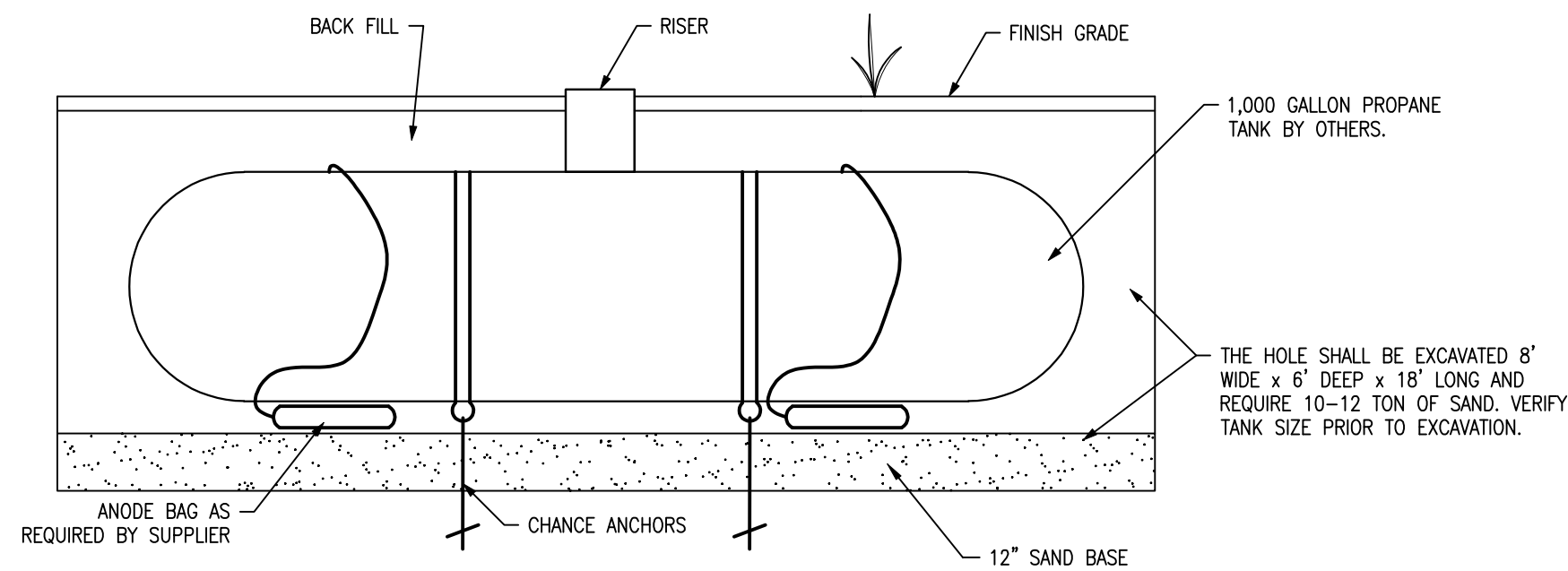
- GENERAL NOTES:**
- VERIFY POWER REQUIREMENTS FOR OWNER'S SPECIFIC EQUIPMENT PRIOR TO ROUGH-IN.
  - COORDINATE INSTALLATION OF EQUIPMENT WITH MANUFACTURER'S INSTALLATION INSTRUCTIONS PRIOR TO ROUGH-IN.
  - CONTRACTOR SHALL MAINTAIN FIRE RATING OF ANY PENETRATION AND SHALL SEAL ANY PENETRATION IN A FLOOR, CEILING, OR EXTERIOR WALL.
  - VERIFY MOUNTING HEIGHTS AND LOCATIONS WITH OWNER PRIOR TO ROUGH-IN.

**MECHANICAL SYMBOL SCHEDULE**

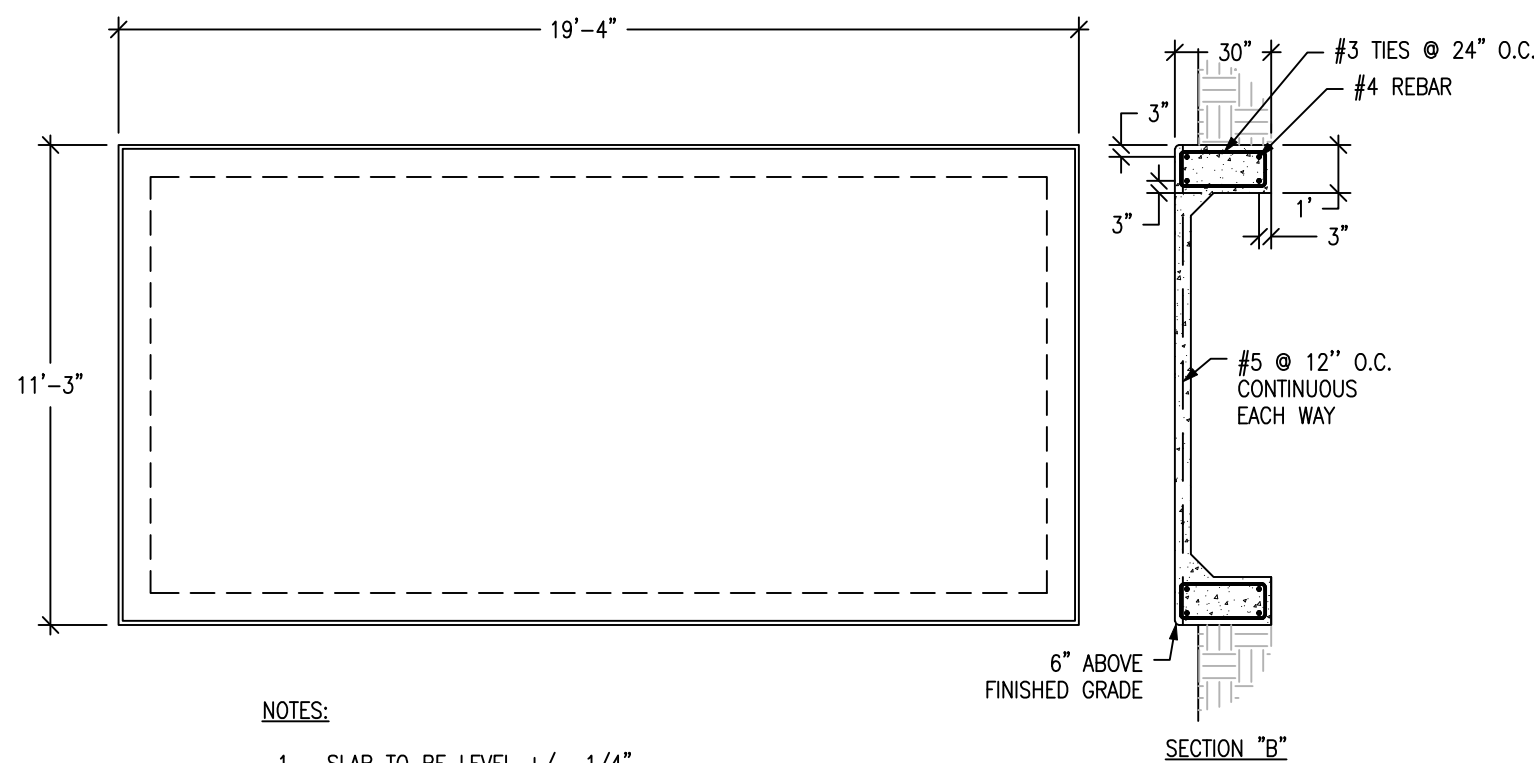
	G	GAS PIPING
		PIPE FITTINGS (ELL DOWN - TEE DOWN - TEE UP)
		VALVE - CHECK VALVE
		UNION - STRAINER
		GAS COCK - BALANCING COCK

**GENERAL NOTES:**

1. VERIFY POWER REQUIREMENTS FOR OWNER'S SPECIFIC EQUIPMENT PRIOR TO ROUGH-IN.
2. COORDINATE INSTALLATION OF EQUIPMENT WITH MANUFACTURERS' INSTALLATION INSTRUCTIONS PRIOR TO ROUGH-IN.
3. CONTRACTOR SHALL MAINTAIN FIRE RATING OF ANY PENETRATION AND SHALL SEAL ANY PENETRATION IN A FLOOR, CEILING, OR EXTERIOR WALL.
4. VERIFY MOUNTING HEIGHTS AND LOCATIONS WITH OWNER PRIOR TO ROUGH-IN.
5. ALL CONDUCTORS TO BE COPPER UNLESS NOTED OTHERWISE.

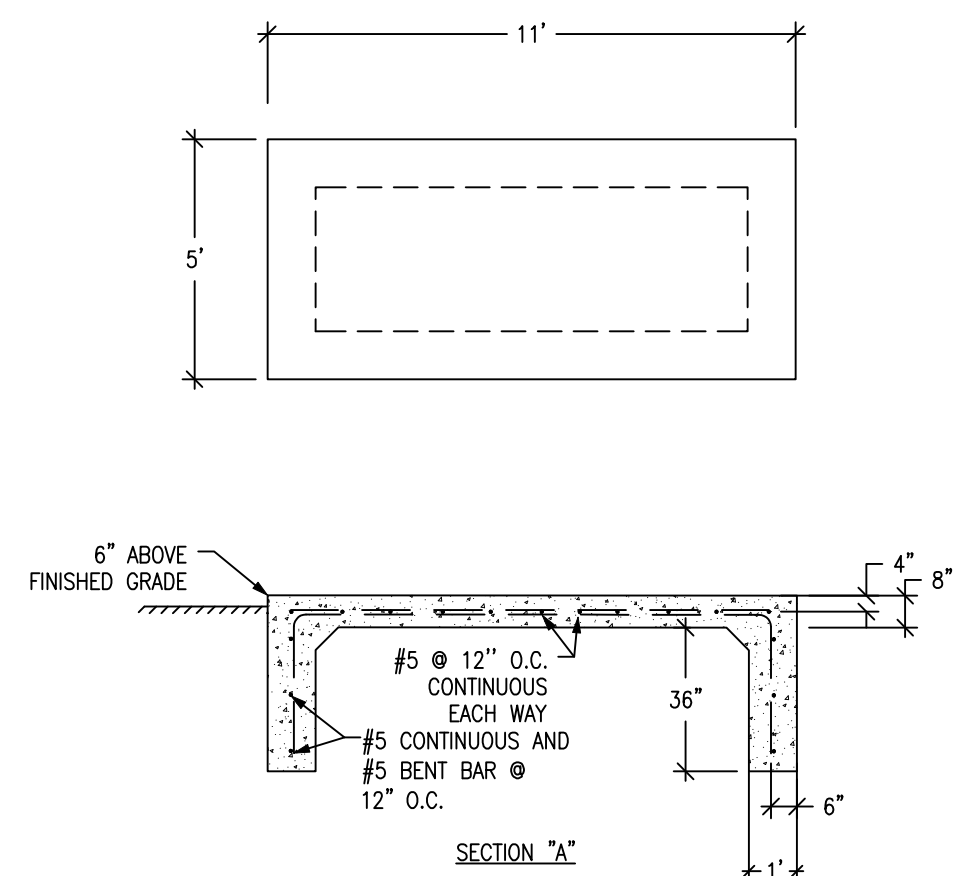


**1 FUEL TANK INSTALLATION**  
ME2 SCALE: NO SCALE



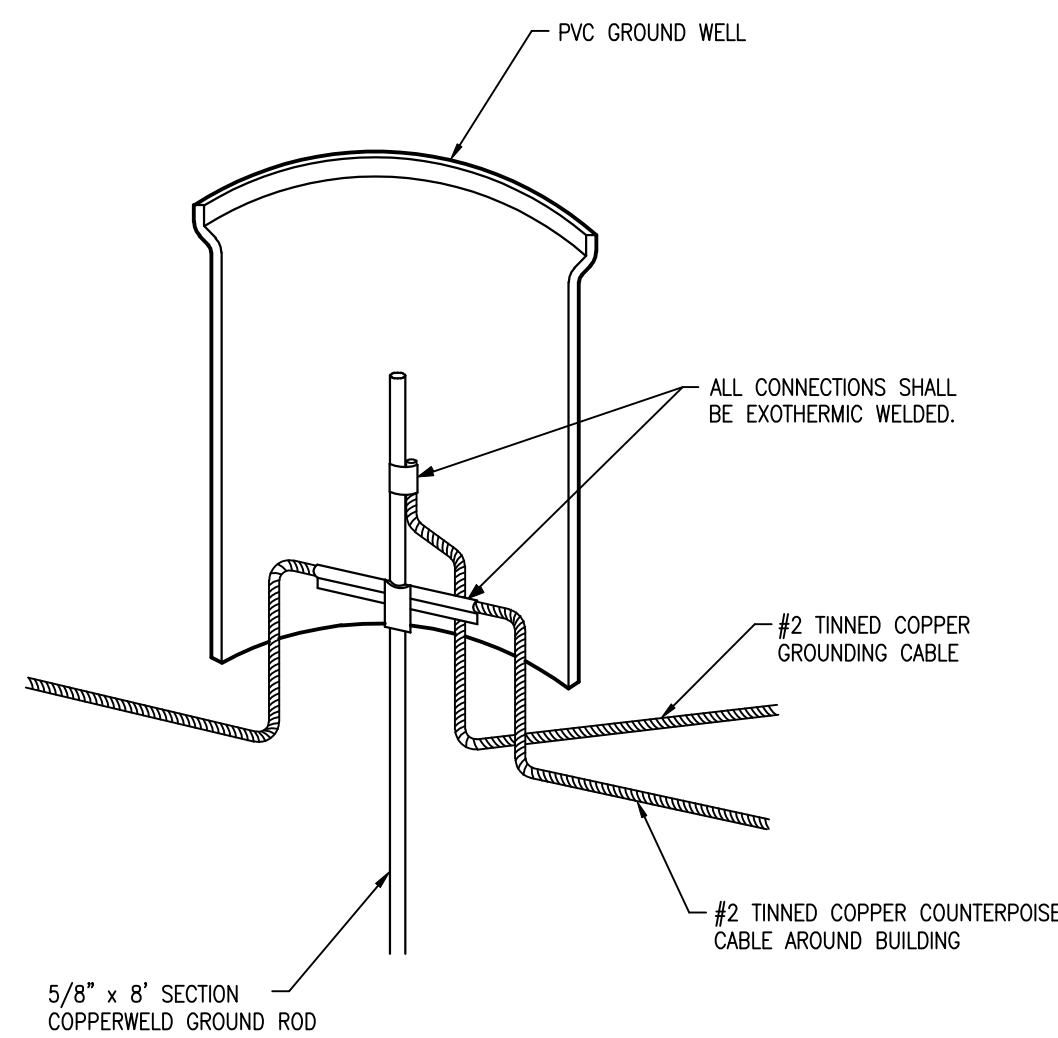
- NOTES:**
1. SLAB TO BE LEVEL +/- 1/4".
  2. FOOTING TO EXTEND 30" MINIMUM DEPTH TO BE BELOW GRADE FOR FROST PROTECTION.
  3. FINAL SITE DESIGN IS THE RESPONSIBILITY OF THE SITE CONTRACTOR.
  4. SLAB FOUNDATION DESIGNED ASSUMING ALLOWABLE SOIL BEARING PRESSURE OF 2000 PSF.
  5. SLAB FOUNDATION DESIGNED ASSUMING MAXIMUM SOIL PLASTICITY INDEX OF 27.
  6. CONCRETE STRENGTH SHALL BE A MINIMUM OF 4000 PSI.

**5 FOUNDATION PAD DETAIL**  
ME2 SCALE: NO SCALE

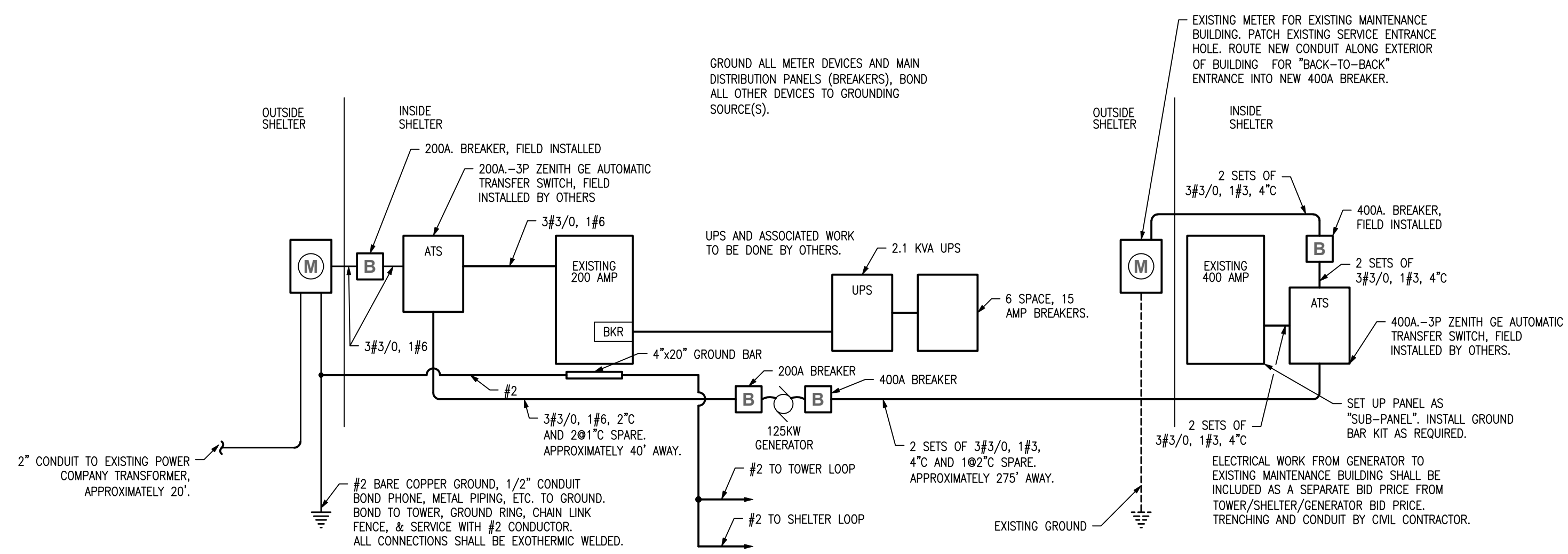


- NOTES:**
1. CONCRETE TO BE 6 BAG MIX, MIN 4000 PSI @ 28 DAYS, MAX AGGREGATE = 3/4".

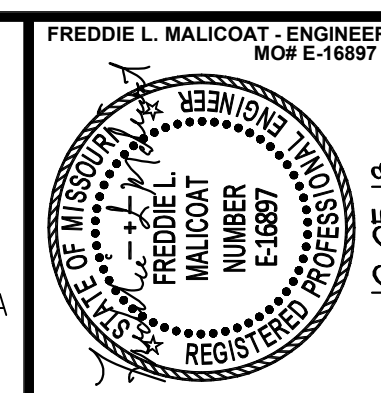
**4 GENERATOR PAD DETAIL**  
ME2 SCALE: NO SCALE



**2 GROUND WELL**  
ME2 SCALE: NO SCALE



**3 ELECTRIC RISER DIAGRAM**  
ME2 SCALE: NO SCALE



**MALICOAT - WINSLOW ENGINEERS, P.C.**  
MISSOURI STATE CERTIFICATE OF AUTHORITY #000421  
5649 N. CLEARVIEW ROAD, COLUMBIA, MISSOURI 65202  
TEL 573-875-1300 FAX 573-875-1305  
FREDDIE MALICOAT, P.E.

**BOCO HALLSVILLE FACILITY**  
780 E HIGHWAY 124  
HALLSVILLE, BOONE COUNTY, MO 65255

CONTRACTOR SHALL CHECK & VERIFY ALL DIMENSIONS & CONDITIONS AT JOB SITE.  
DATE: 10-05-18  
REVISIONS:  
TITLE: MECHANICAL/ELECTRICAL DETAILS  
SHEET: ME2 OF ME2  
PROJECT: 18065