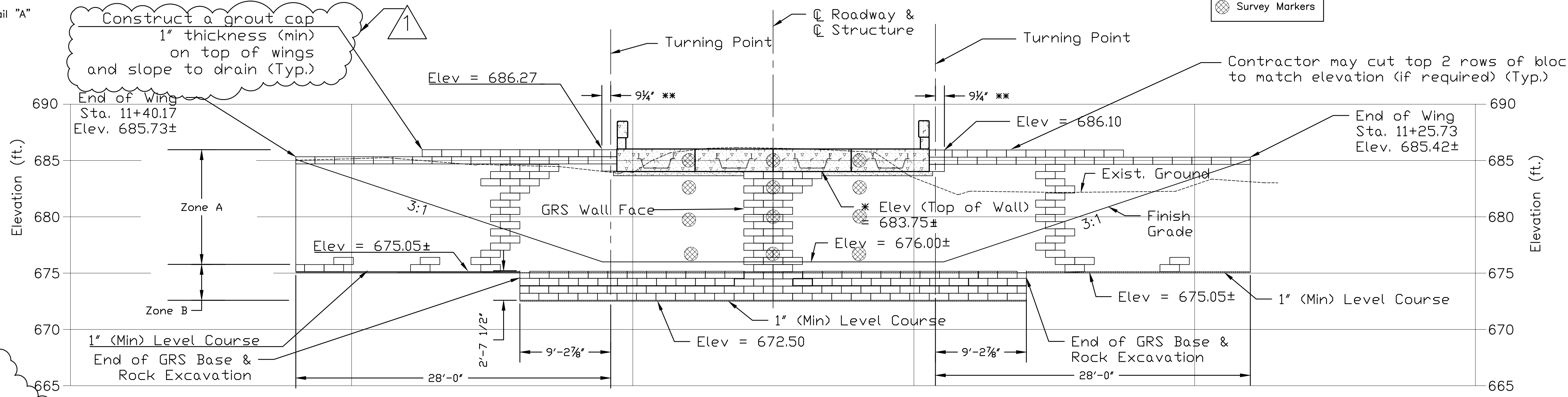


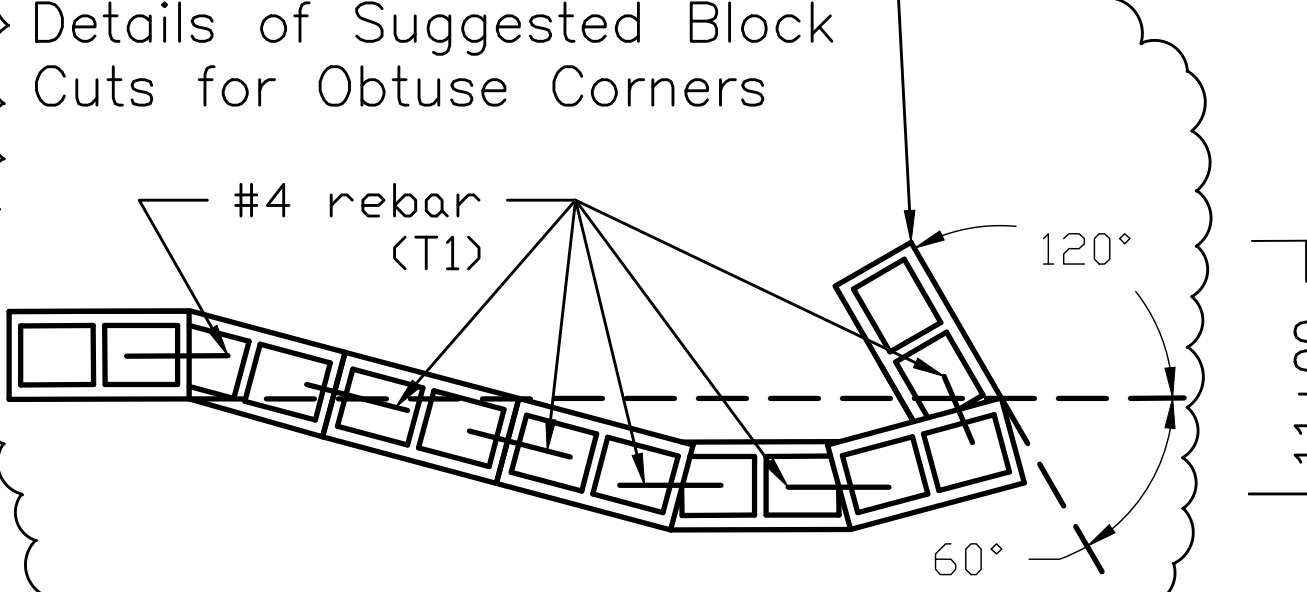
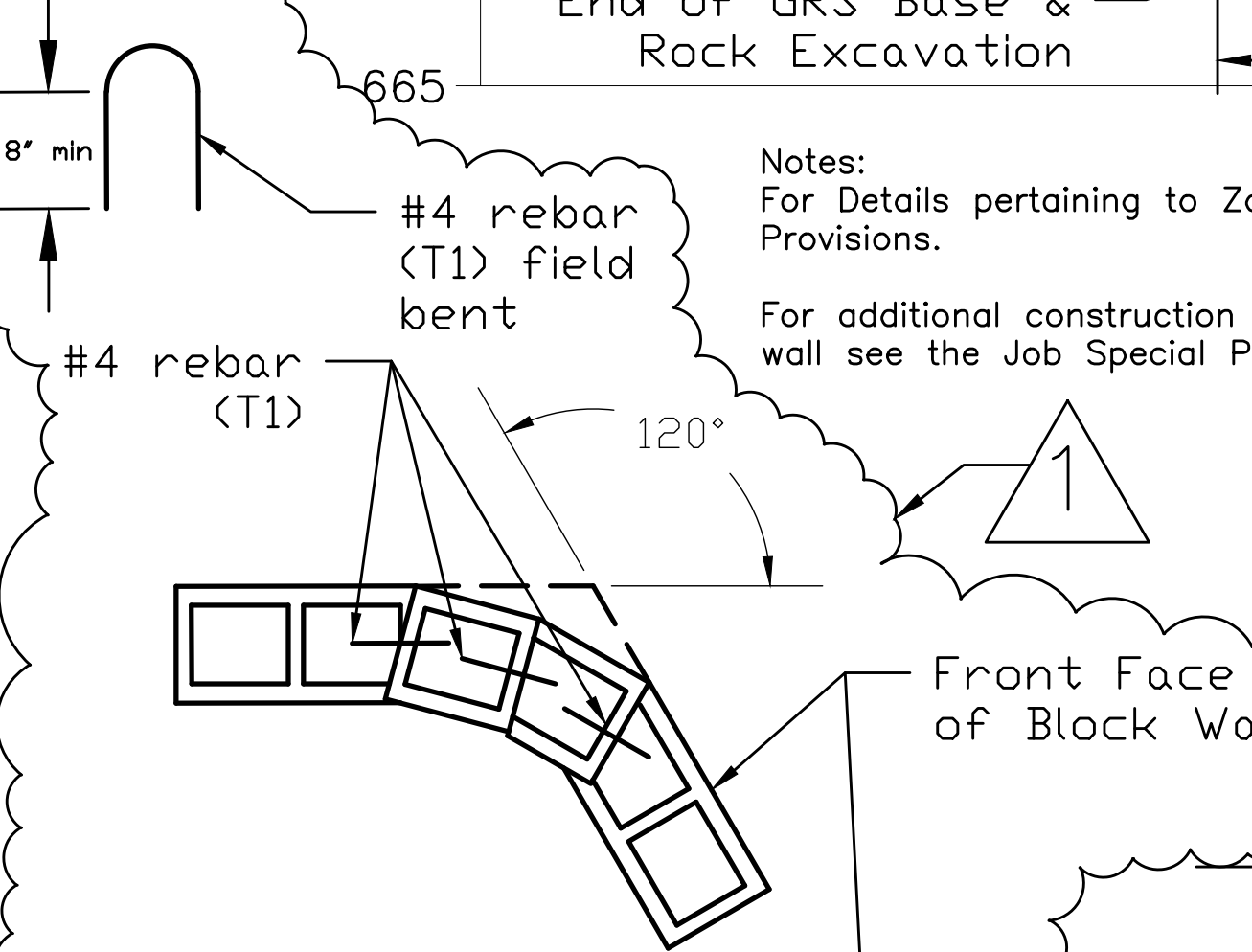
\* For Beam Seat Elevations see Sheet No. 18

\*\* See Detail "A"

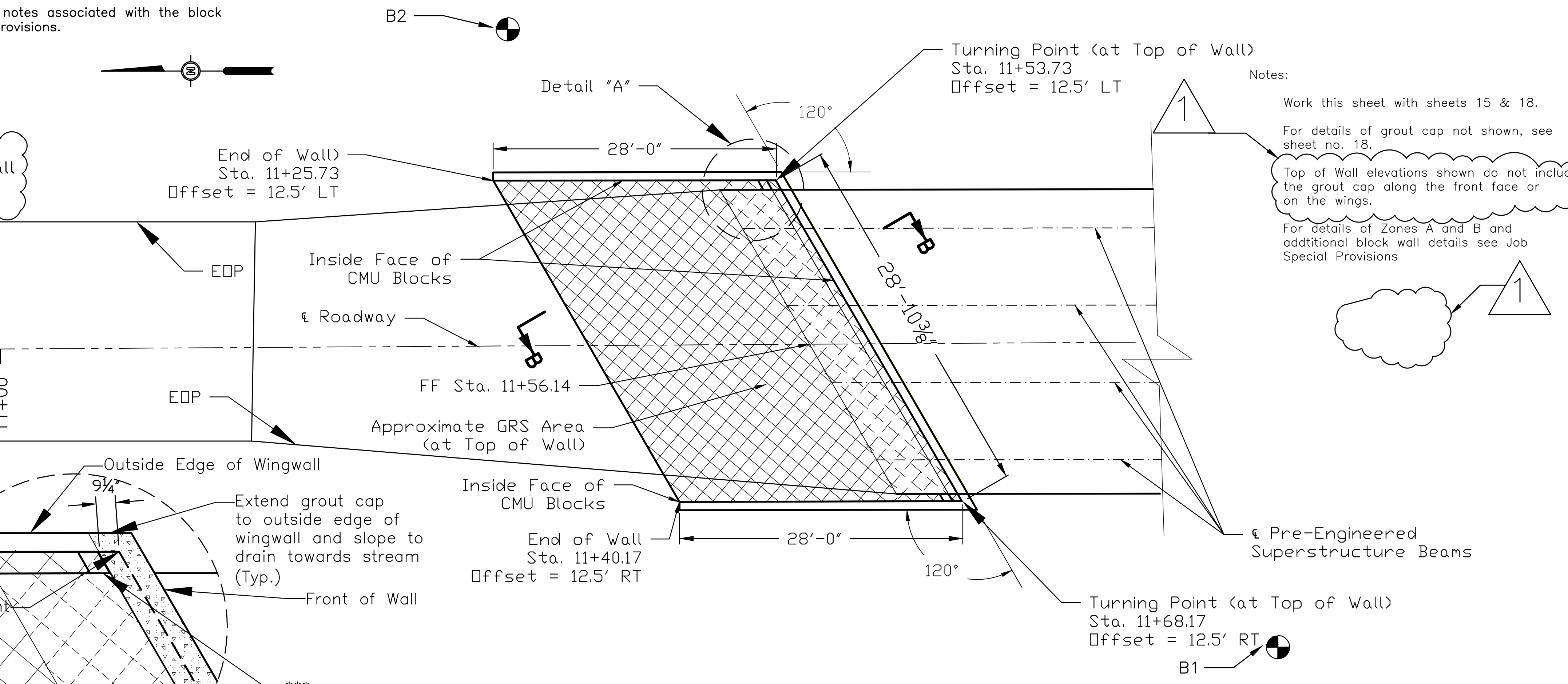
Legend	
(Symbol)	Survey Markers



**ELEVATION VIEW - NORTH ABUTMENT**  
(Looking @ Front Face of Wall)



**Notes:**  
Block corner configurations shown above are suggested shapes only. Other configurations will be accepted so long as they conform to the aesthetic and structural requirements of the engineer.  
Dashed lines represent the tangent of the outside of the facing blocks.  
Half sized blocks are allowed as shown above and per the approval of the engineer.  
All blocks that are not in line with the tangent of the outside of the facing blocks (dashed line above) are to be pinned and grouted as shown above.



**PLAN VIEW - NORTH ABUTMENT**  
Concrete Encasement at the Bottom of the Wall and Wall Taper are Not Shown for Clarity

\*\*\* Trim or sawcut these blocks to provide a custom fit to the superstructure to prevent loss of fill material. If the gap between the superstructure and these facing blocks is difficult to fill with small sections of block a non-shrink grout shall be used to close the space per the approval of the Engineer.

Note: This drawing is not to scale. Follow dimensions.

Last edit on: 01/17/13 Drawing name: W:\P\Proj\16000\16137\110\AutoCad\Plan Set\Abutments\_GRS\_Walls.dwg Layout name: Layout1 (2) Plotted by: TDLO1295 Plotted on: Aug 23, 2014 - 2:01pm

#	DATE	DESCRIPTION
1	8/29/14	Added details for corner blocks. Revised and removed capstone notes.

BARTLETT & WEST

1719 SOUTHWISBE DR. SUITE 100, SPRINGFIELD, MISSOURI 65704  
PHONE 417-882-3100 FAX 417-882-7994  
MISSOURI REGISTERED PROFESSIONAL ENGINEERS  
NO. 0000167 - ENGINEERING

NORTH ABUTMENT PLAN & ELEVATION

RUSTIC ROAD BRIDGE REPLACEMENT  
FEDERAL PROJECT NO. IBRD 9900(592)  
BOONE COUNTY, MISSOURI

SEALED DATE:	08/29/14
DESIGNED BY:	TDL
DRAWN BY:	MSS
APPROVED BY:	RAG
DESIGN PROJ.:	16137.110
SCALE:	AS NOTED
DATE:	AUGUST/2014
DRAWING NO.:	NONE
SHEET NO.:	16 of 22

ALL RIGHTS RESERVED. ALL BARTLETT & WEST, INC. PLANS, SPECIFICATIONS AND DRAWINGS ARE PROTECTED UNDER COPYRIGHT LAW. AND NO PART MAY BE COPIED, REPRODUCED, DISPLAYED PUBLICLY, USED TO CREATE DERIVATIVES, DISTRIBUTED, STORED IN A RETRIEVAL SYSTEM OR TRANSMITTED IN ANY FORM BY ANY MEANS WITHOUT PRIOR WRITTEN PERMISSION OF BARTLETT & WEST, INC.