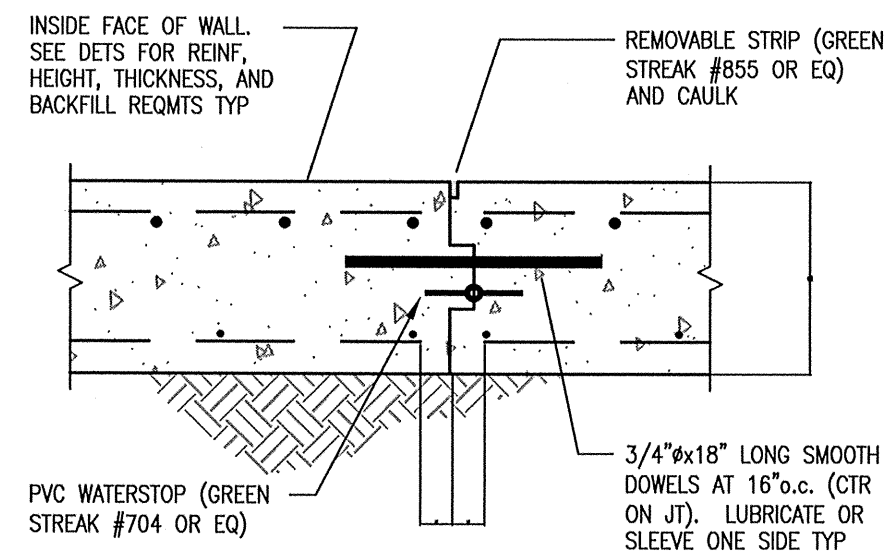


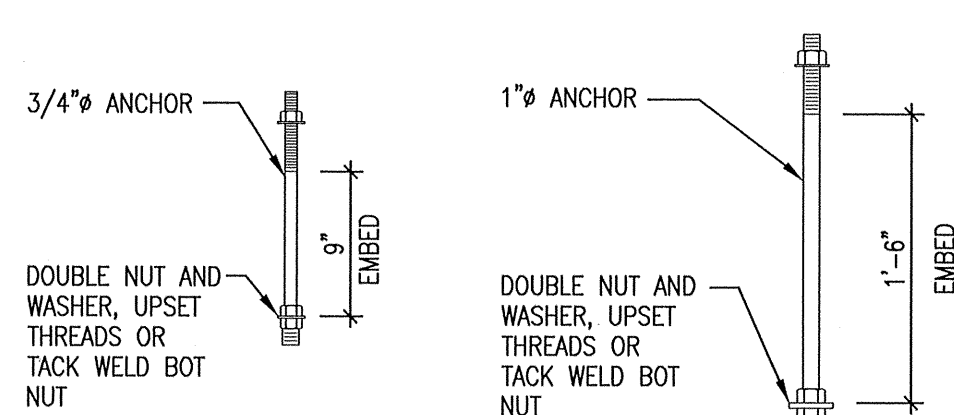
WALL SECTION

NO SCALE
 NOTE: DET MAY NOT BE TO SCALE, FOLLOW DIMS TYP. SEE SITE PLAN AND DET 10/S501 FOR FTG STEP IN ELEV AS REQD.



VERT WALL CONST JT

1" = 1'-0"

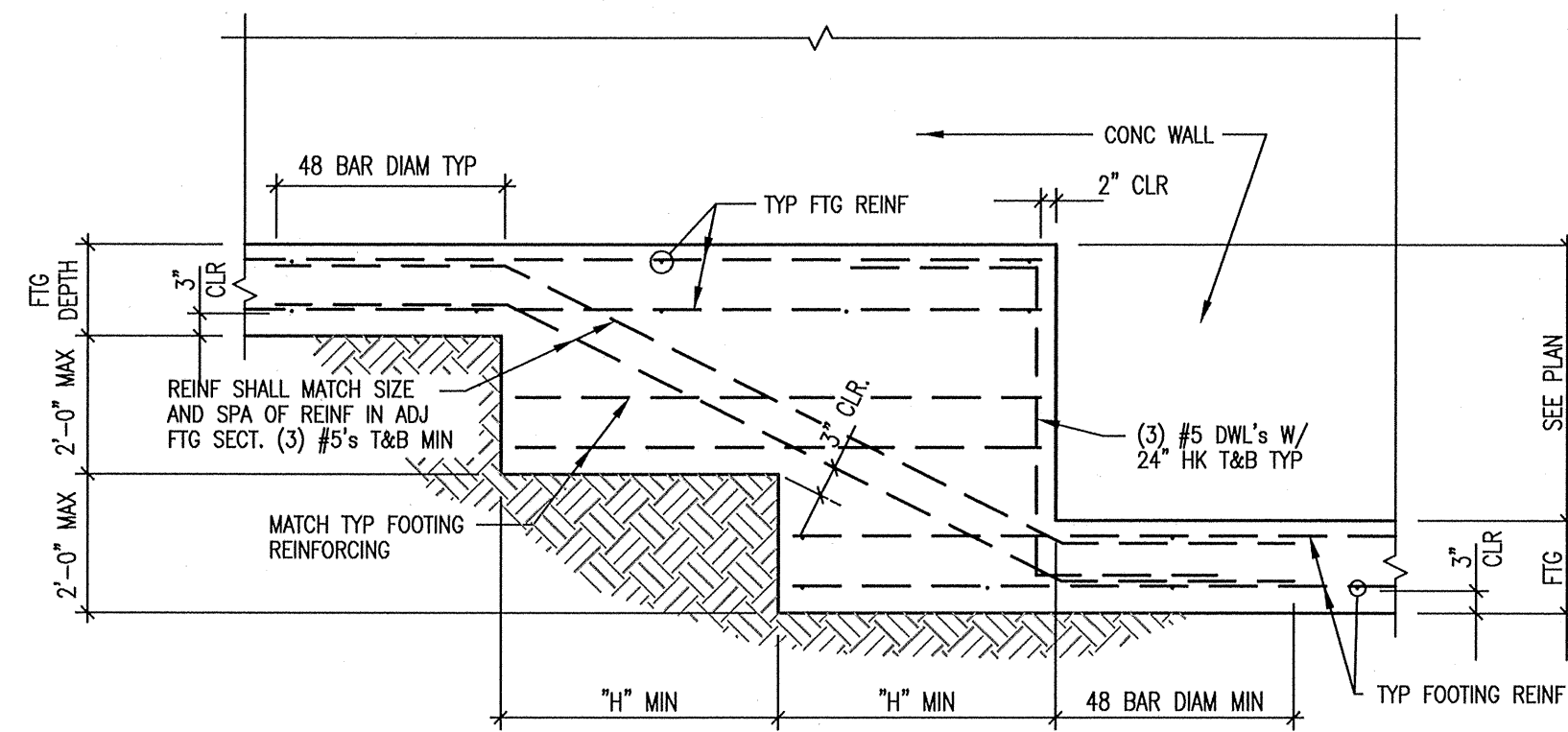


ANCHOR ROD(S)

1" = 1'-0"

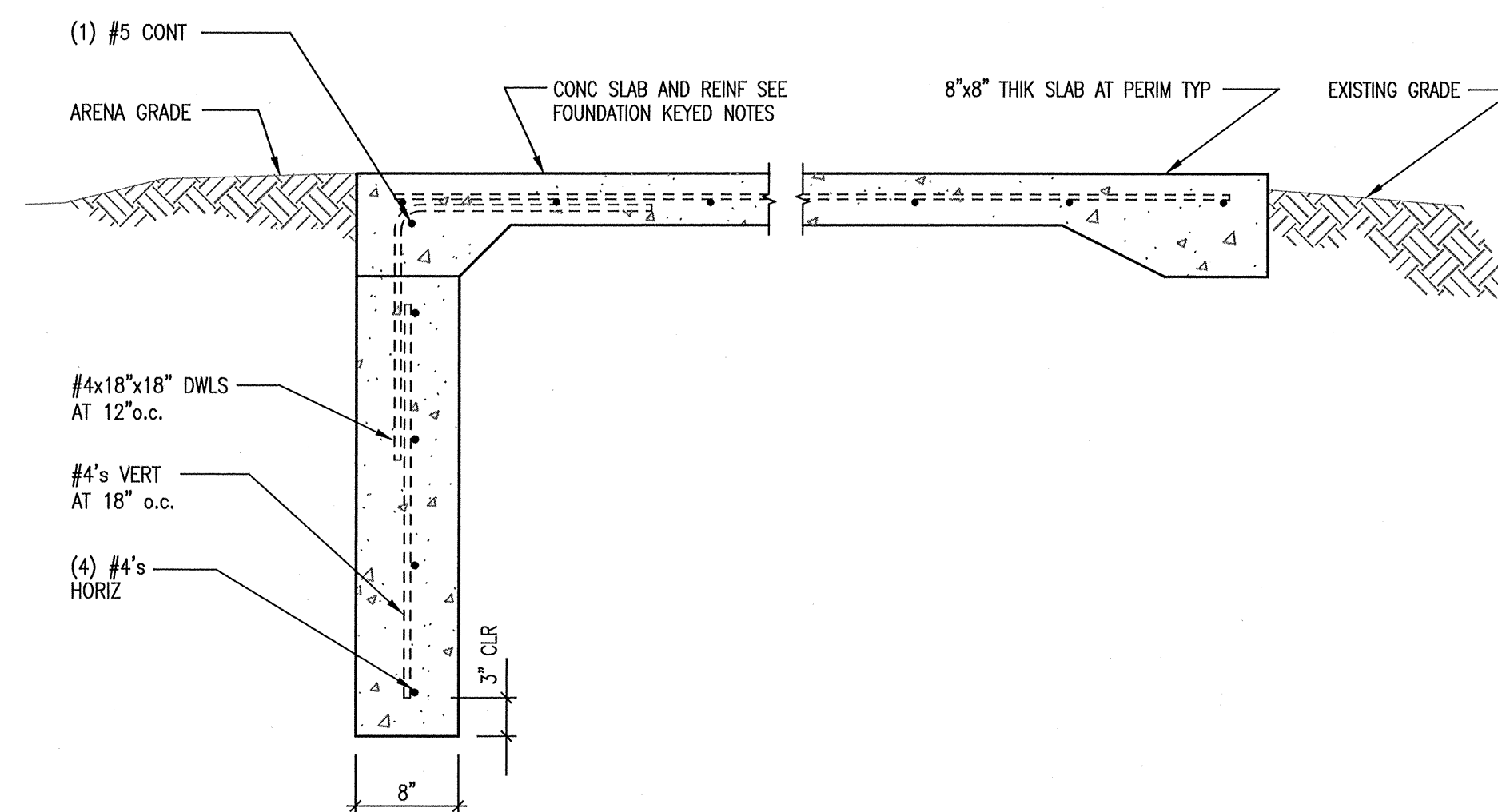
TYP MAIN FRAME PEDESTAL/FTG

1" = 1'-0"
 NOTE: SEE 2/S001 SCHED FOR PEDESTAL SIZE AND SEE 7/S501 FOR REINF TYP



TYP STEPPED FTG SECTION

1/2" = 1'-0"

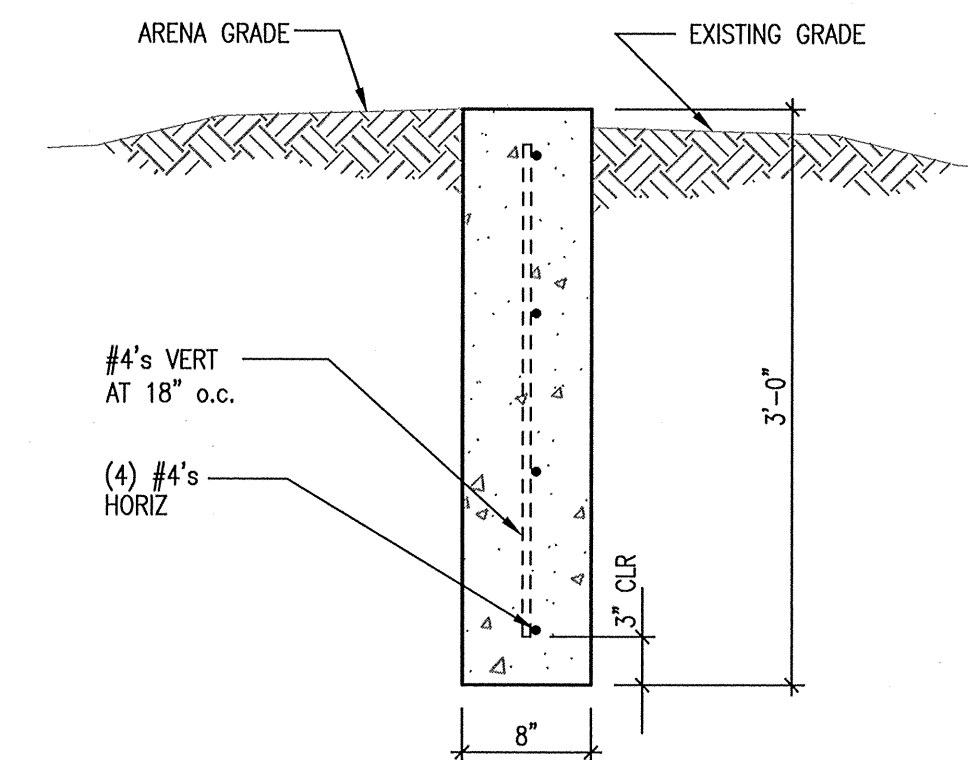


SLAB AT WALK DOOR

1" = 1'-0"

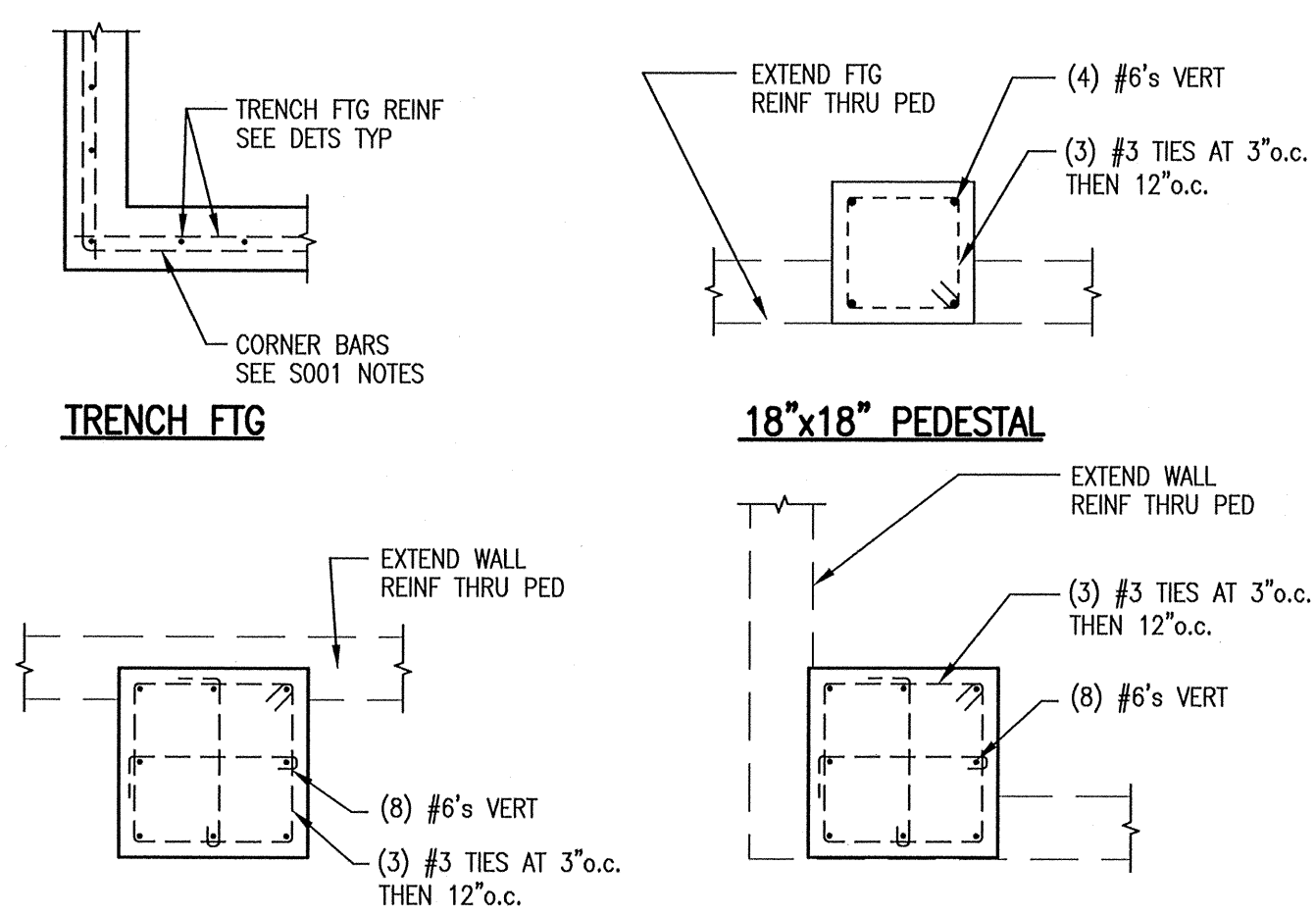
TYP END WALL PEDESTAL/FTG

1" = 1'-0"
 NOTE: SEE 2/S001 SCHED FOR PEDESTAL SIZE AND SEE 7/S501 FOR REINF TYP



TYP GRADE BEAM

1" = 1'-0"



CONC PEDESTAL/TRENCH FTG REINF

1/2" = 1'-0"
 NOTE: 1. ANCHOR BOLTS SHALL BE PLACED IN PEDESTAL CAGE, COORD/VERIFY ANCHOR BOLT LAYOUT W/ MTL BLDG MFR
 2. PLACE PEDESTALS/COLUMNS MONOLITHICALLY WITH CONC WALL TYP.



SAPP BUILDING RELOCATION TO BOONE COUNTY FAIRGROUNDS

Drawn: BRH
 Checked: DCW
 Project Number: 08052.01
 CAD File Name (Number): FAIR-S-DT.DWG

Submission Date: 07-15-08
 Plot Date: 06/09/2008
 Drawing Number: S501
 Sheet 3 of 3